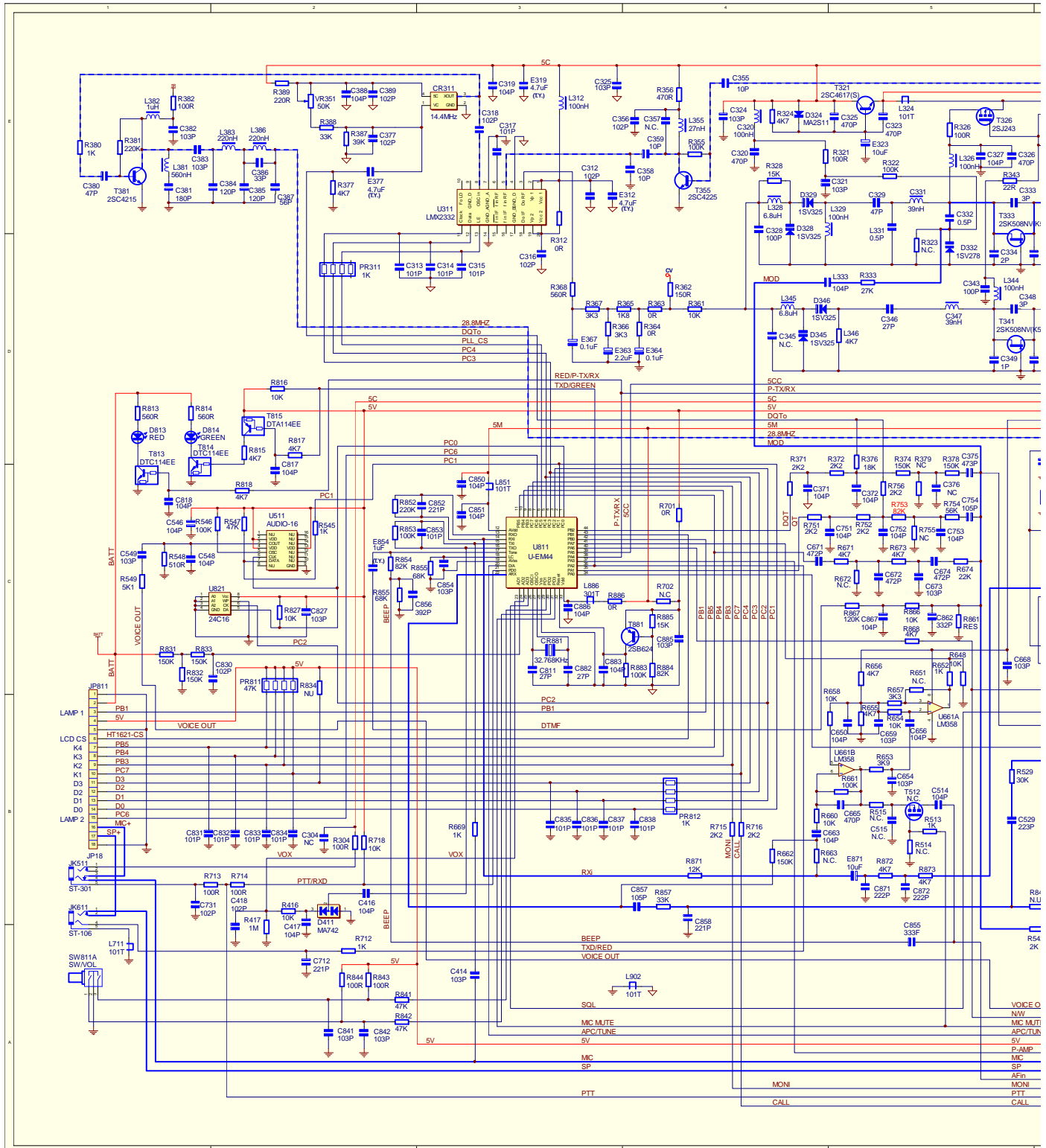
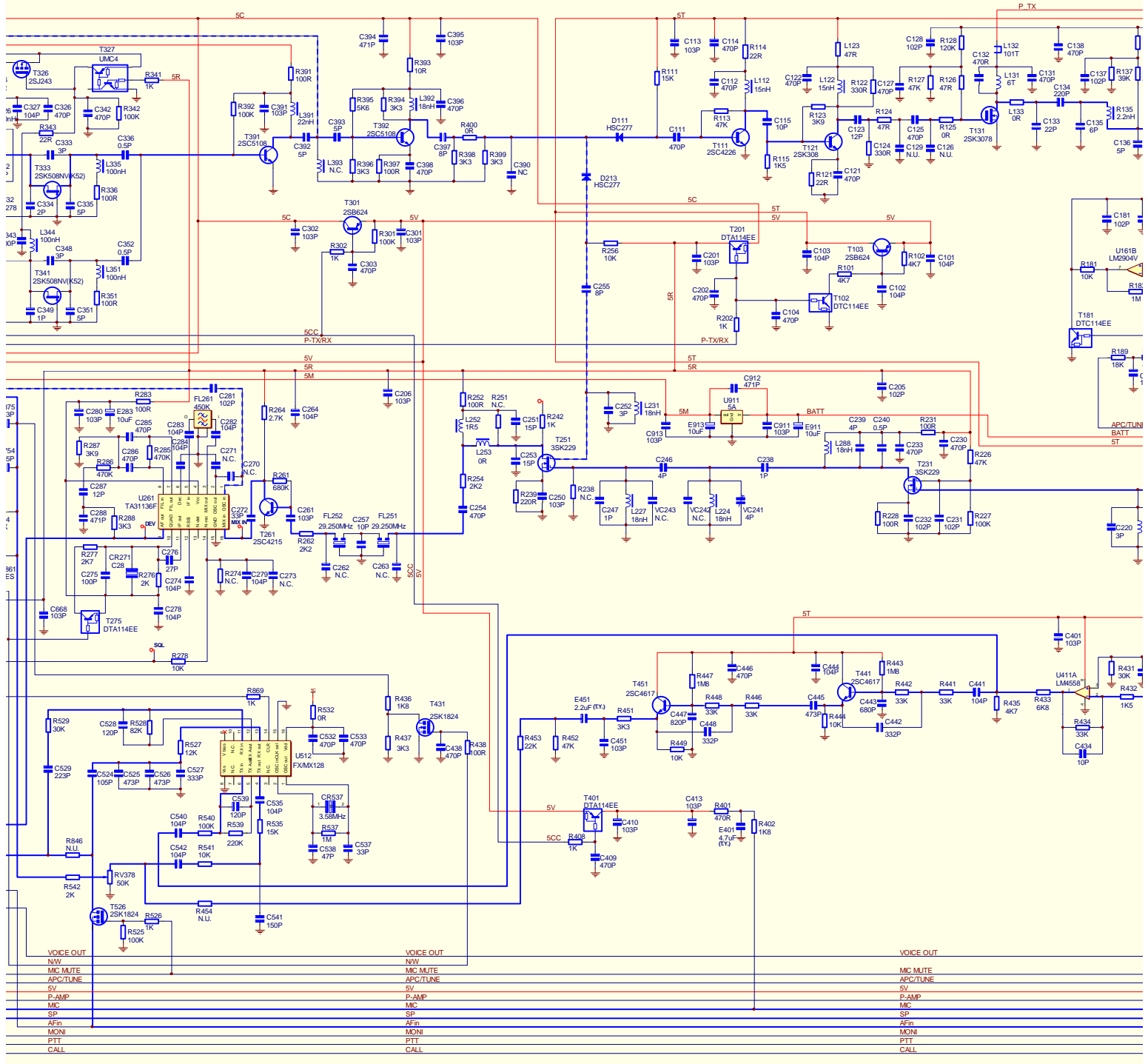
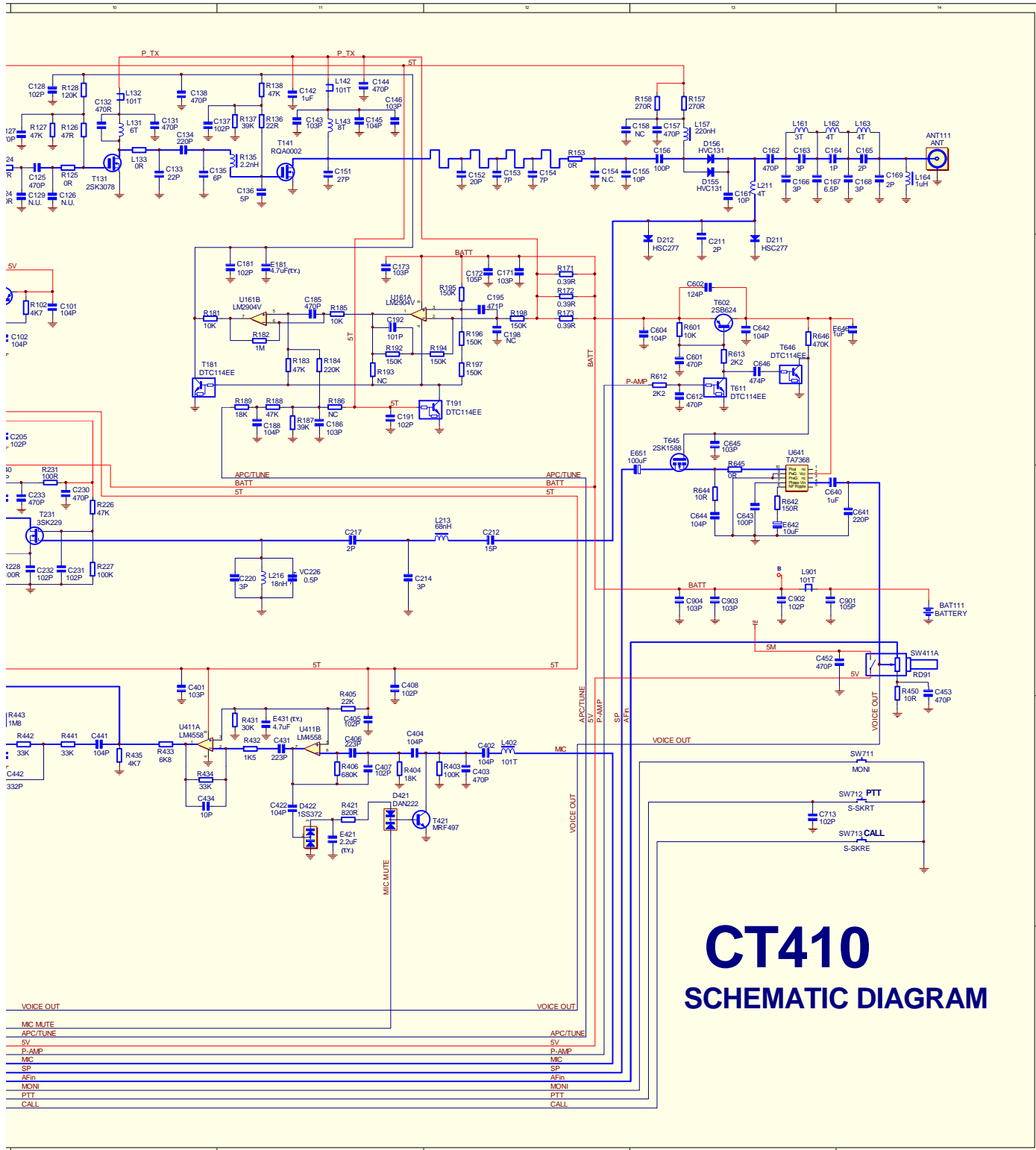


**CT410**  
SCHEMATIC DIAGRAM





VOICE OUT	VOICE OUT	VOICE OUT
NW	NW	MC MUTE
MIC MUTE	MIC MUTE	APC/TUNE
APC/TUNE	APC/TUNE	5V
5V	5V	P-AMP
P-AMP	MC	MC
MC	SP	SP
SP	AFIn	AFIn
AFIn	MONI	MONI
MONI	PTT	PTT
PTT	CALL	CALL
CALL		



# CT410

## SCHEMATIC DIAGRAM